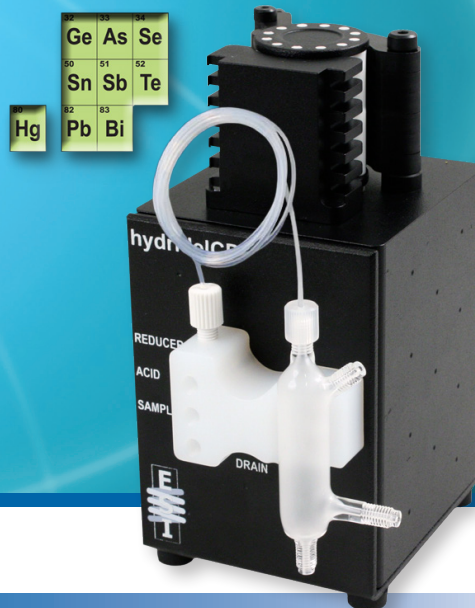


## hydrideICP

Compact Hydride Generation System  
for ICP and ICPMS with Enhanced  
Stability and Performance



### Benefits

- Increased sensitivity, up to 100x for hydride-forming elements
- Improved detection limits for As, Hg, Se, Sb and other hydride-forming elements
- Improved stability
  - MP<sup>2</sup> micro peripump precisely mixes sample and reagents, producing a stable formation of H<sub>2</sub> gas and hydrides
- Compact
  - hydrideICP is the smallest system of its kind on the market (95 mm x 118 mm x 140 mm)
- Chemically resistant construction
  - MP<sup>2</sup> micro peripump with ceramic pins, a PFA mixing block and quartz Glass-Liquid Separator
- Convenient
  - hydrideICP includes a PFA mixing block, which is completely integrated into the MP<sup>2</sup> pump

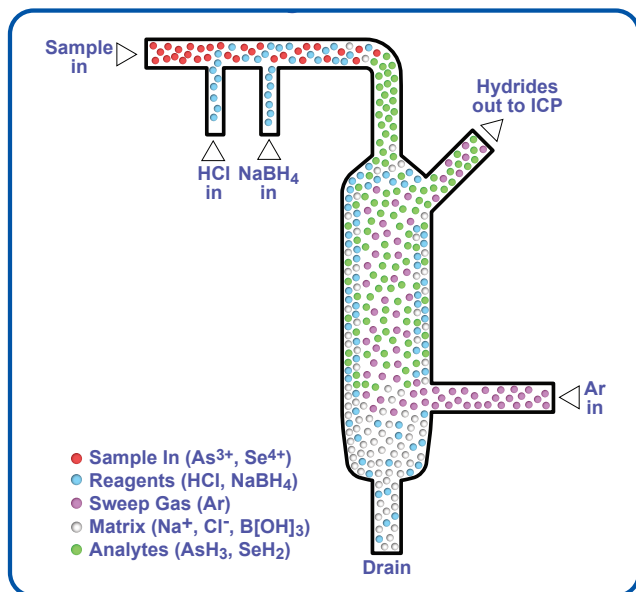
Universal spray chamber adapter with  
baffled cyclonic spray chamber



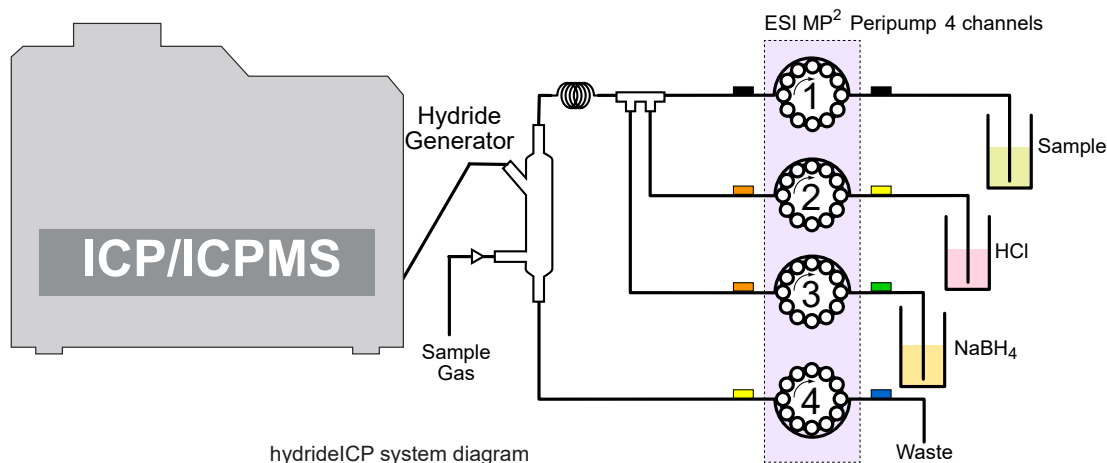
Universal spray chamber adapter replaces the  
nebulizer on a cyclonic spray chamber

# Improve ICP Detection Limits

The hydrideICP is a standalone hydride generation system with precision micro peristaltic pump, which provides sub-ppb detection limits for hydride-forming elements such as As, Se, Sb and Hg.



ESI has developed the smallest, highest-performing and most stable gas liquid separator on the market. The design promotes rapid mixing of sample and reagents, resulting in an efficient reaction and separation of hydride gases from sample liquids in a small volume.



hydrideICP system diagram

## Description

HydrideICP Generation System. HydrideICP Generator Kit (Hydride quartz gas-liquid separator, four way tee, MP2 precision micro peristaltic pump, universal spray chamber adapter and mounting plate).

## Part Number

361.104

